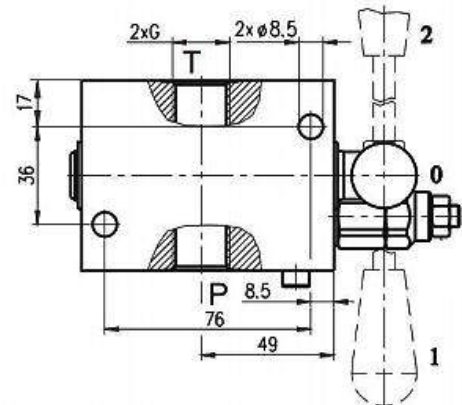
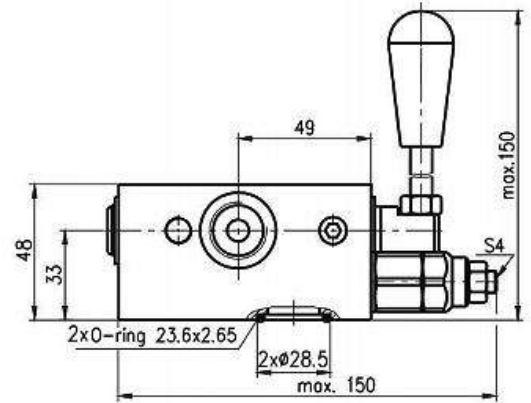
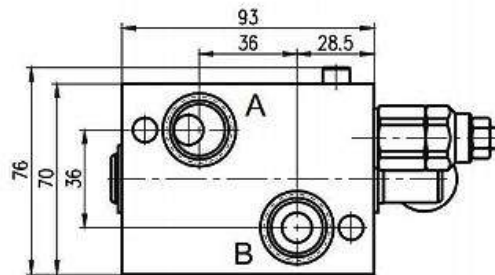
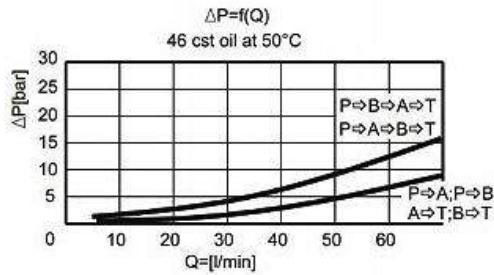
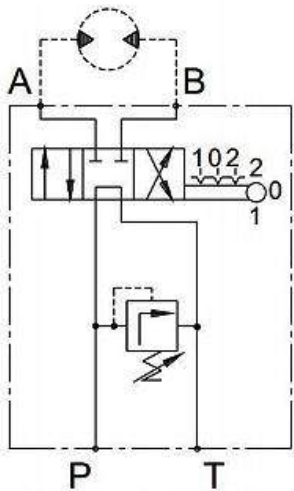


13093

[mm]



Šifra / Code	13093
Max. pretok / Max. flow [l/min]	50
Max. delovni tlak / Max. Work Pressure [bar]	180
Max. tlak / Max. pressure [bar]	210
Priključek "P" & "T" / Port "P" & "T"	1/2